

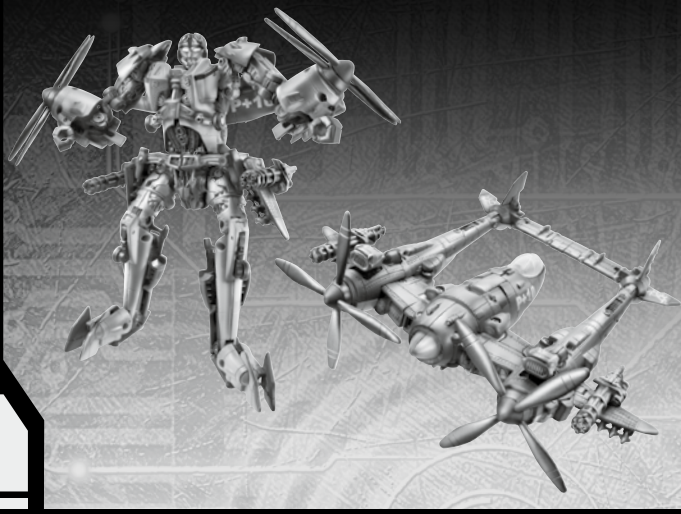
# TRANSFORMERS

## HIGHBROW™

LEVEL: 0 1 2 **3** 4 5  
INTERMEDIATE

AUTOBOT™

NOTE: Some parts are made to detach if excessive force is applied and are designed to be reattached if separation occurs. Adult supervision may be necessary for younger children.



**WARNING:**

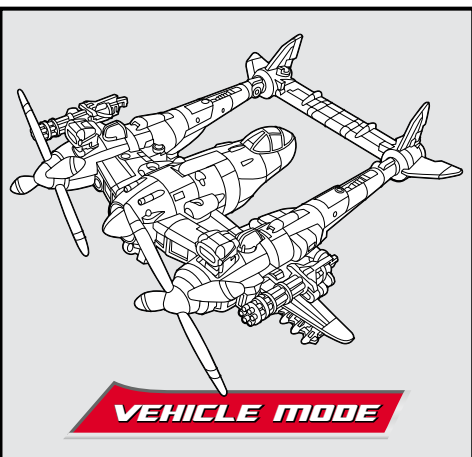
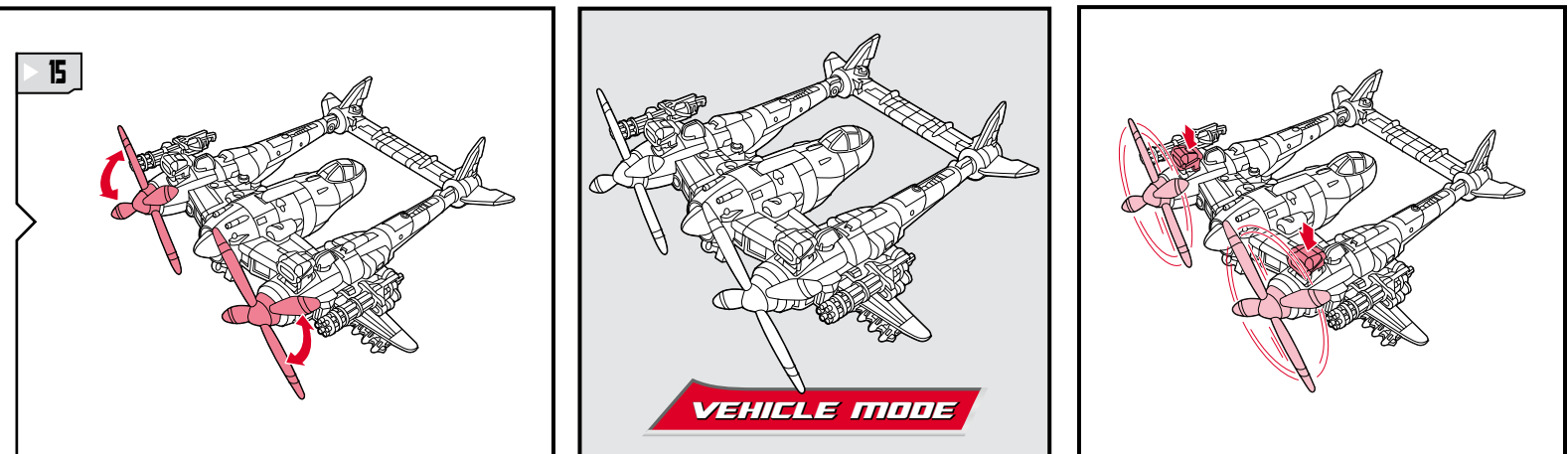
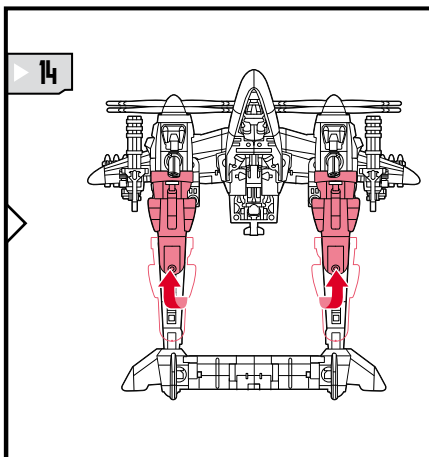
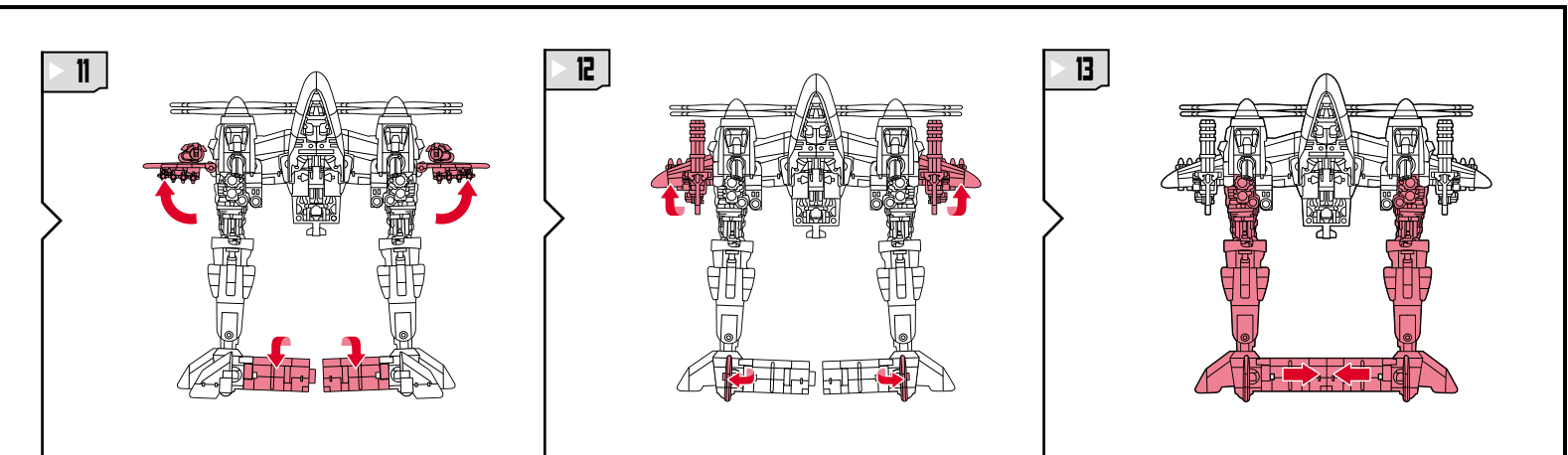
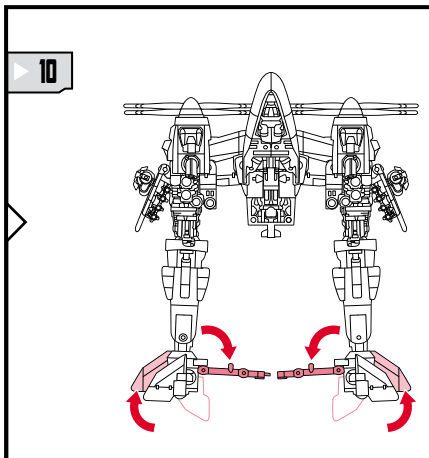
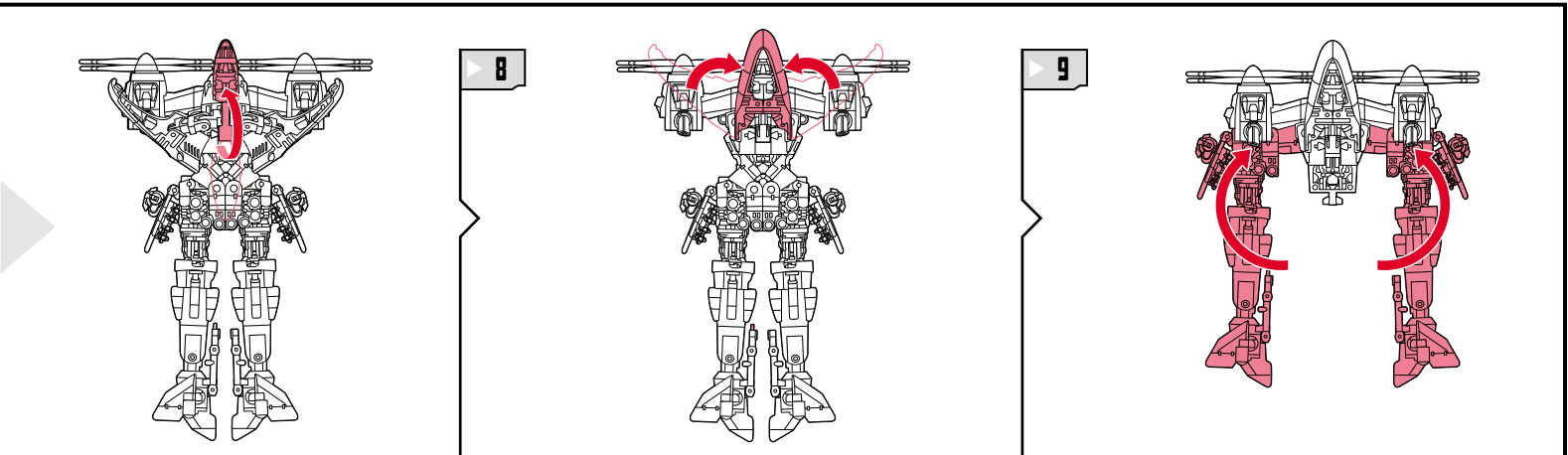
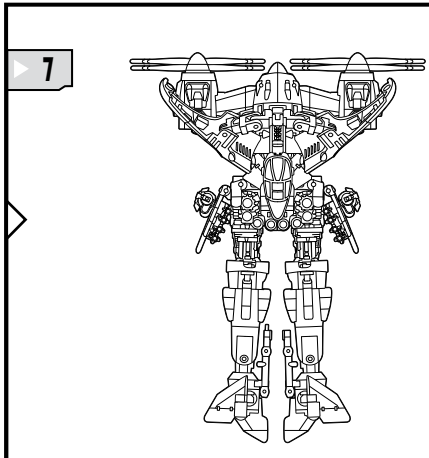
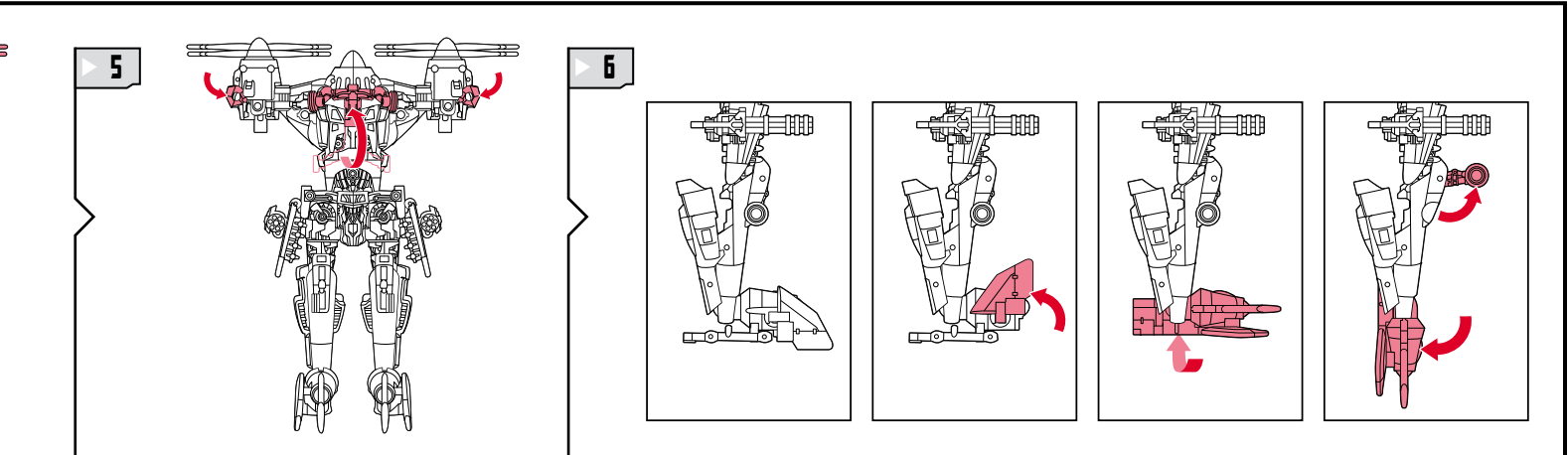
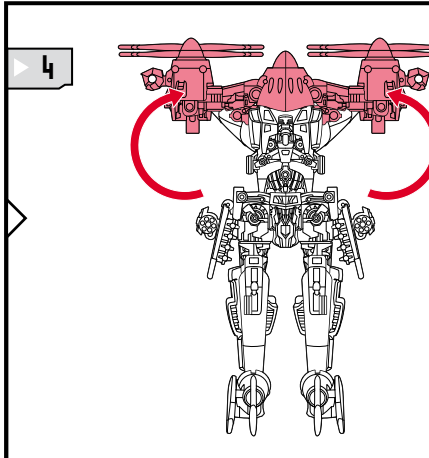
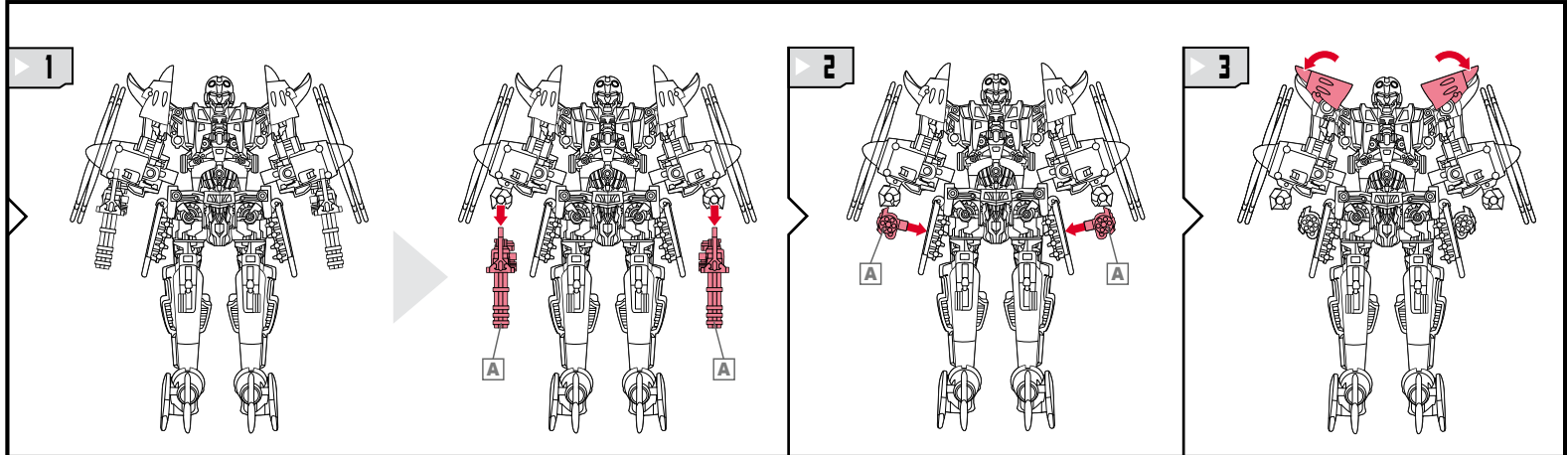
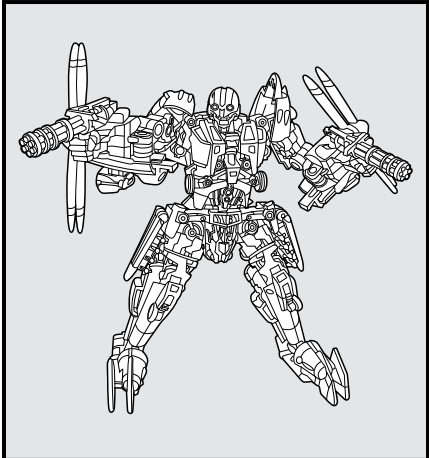
CHOKING HAZARD—Small parts.  
Not for children under 3 years.

**AGES 5+**

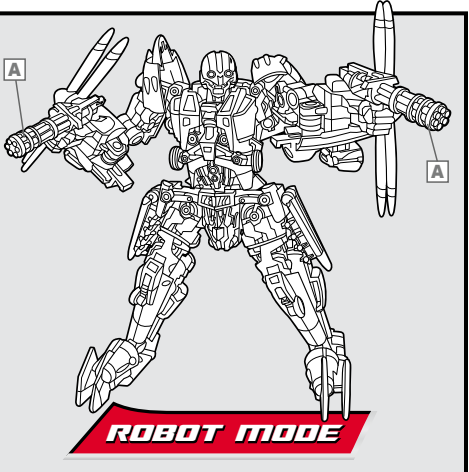
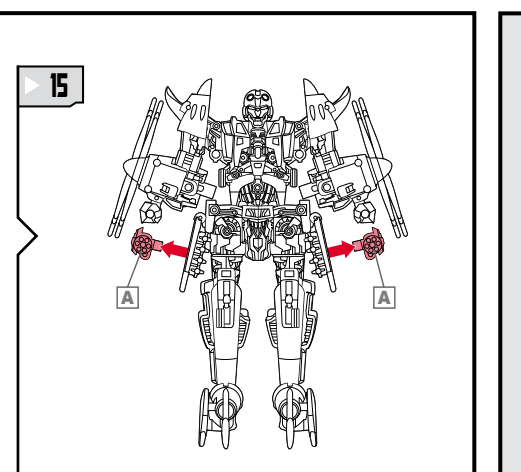
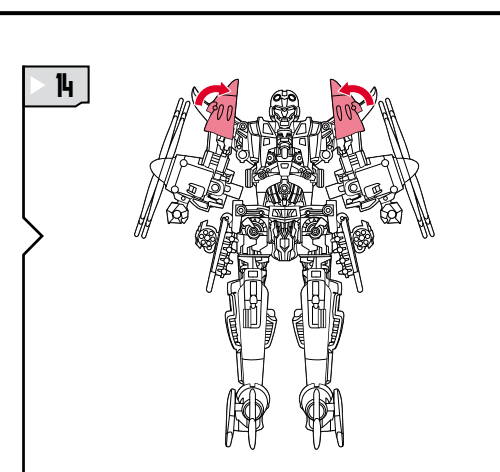
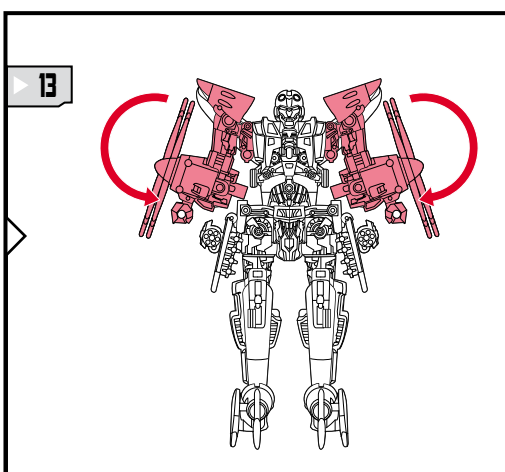
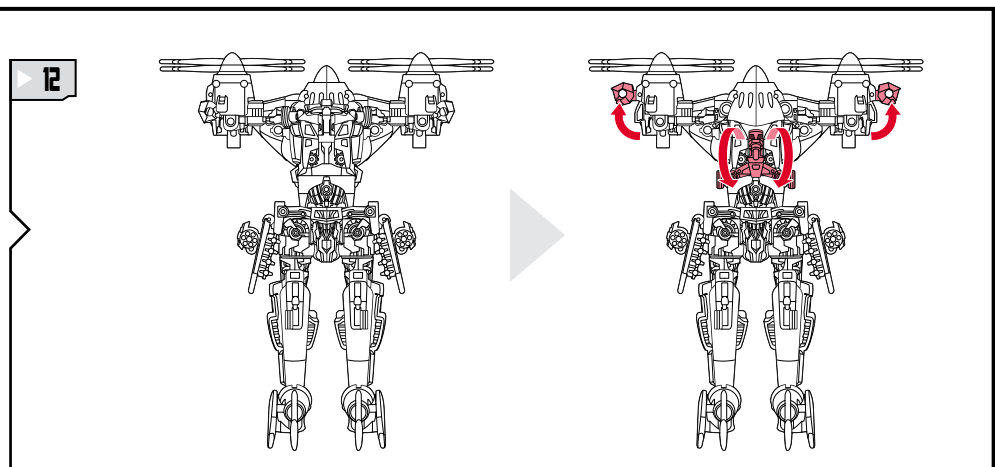
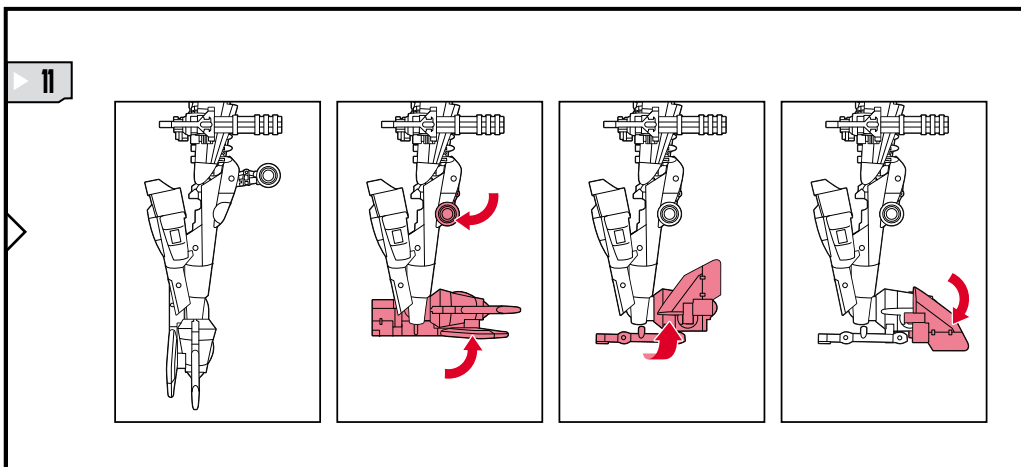
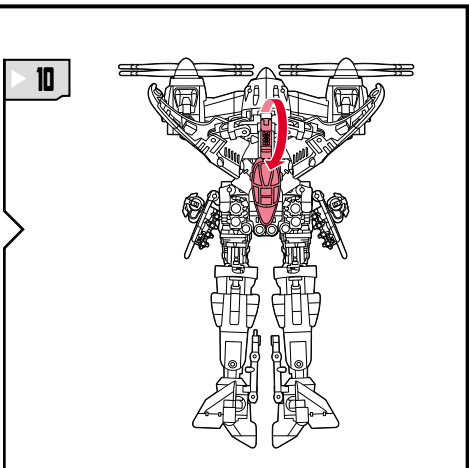
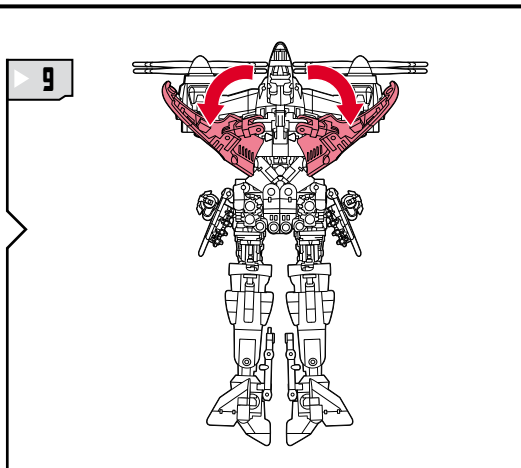
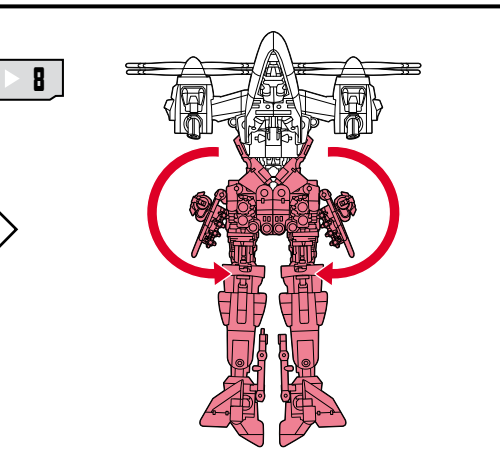
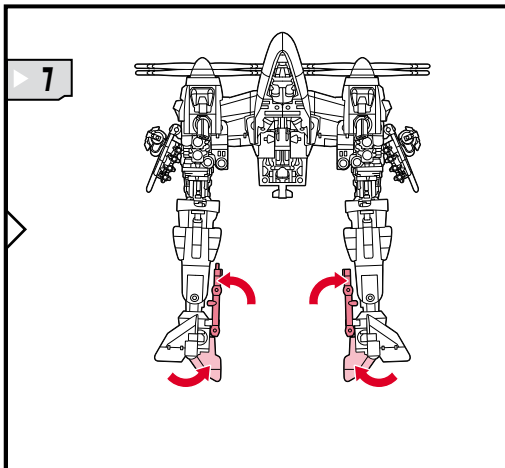
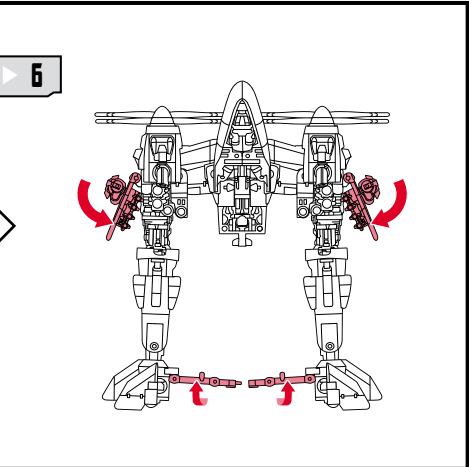
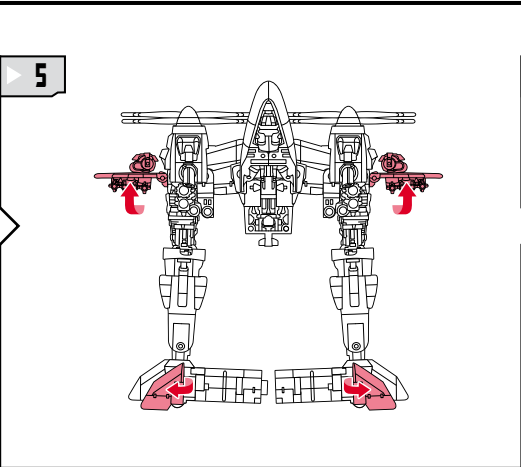
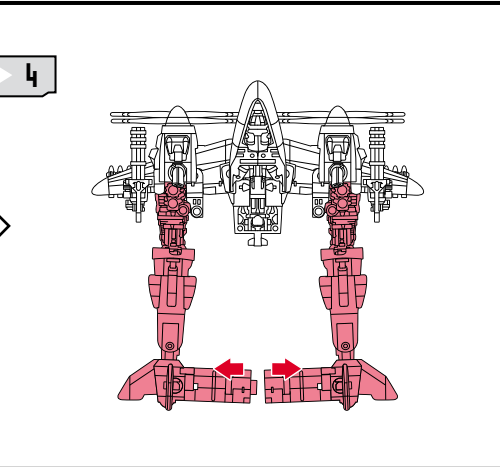
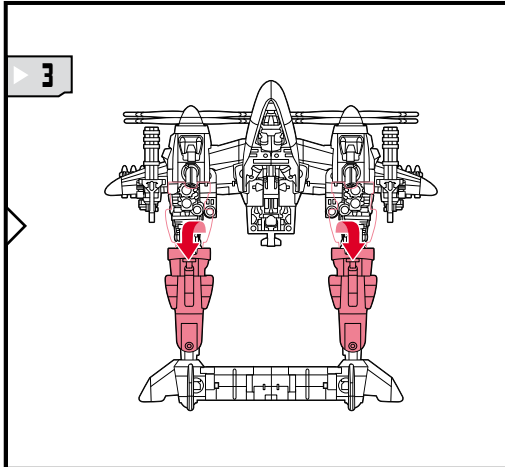
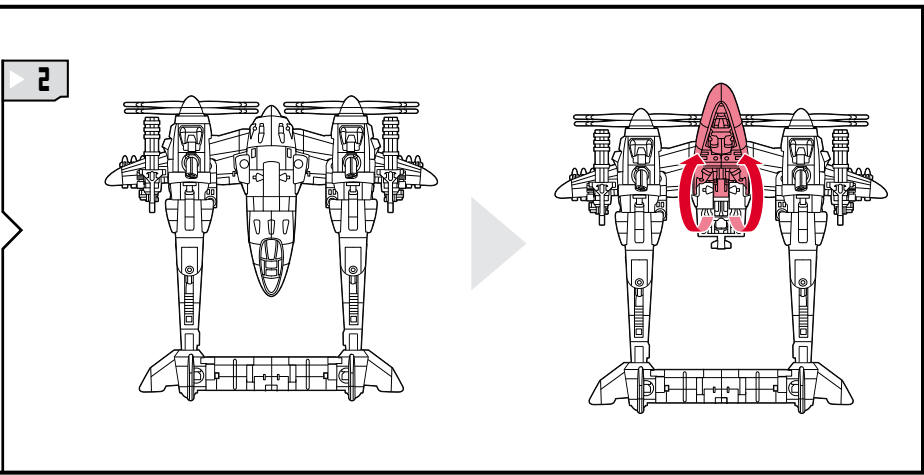
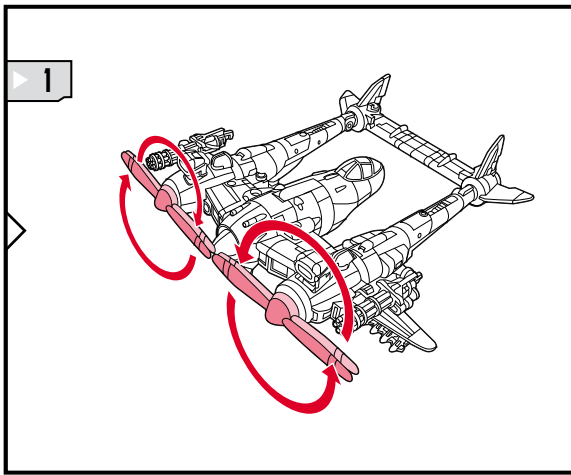
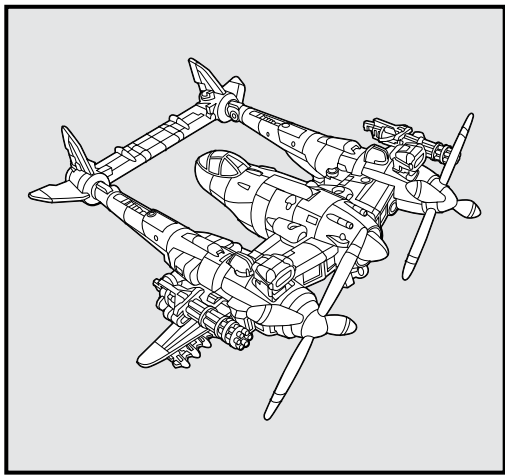
20911/98457 ASST.

TRANSFORMERS.COM

### CHANGING TO VEHICLE



**VEHICLE MODE**



Retain instructions for future reference.

Hasbro © 2010 Hasbro. All Rights Reserved. TM & © denote U.S. Trademarks. Manufactured under license from Tomy Company, Ltd.

Product and colors may vary.

Some poses may require hand support.

Not suitable for children under 3 years because of small parts - choking hazard.



NEED HELP? [TRANSFORMERS.COM/INSTRUCTIONS](http://TRANSFORMERS.COM/INSTRUCTIONS)

